

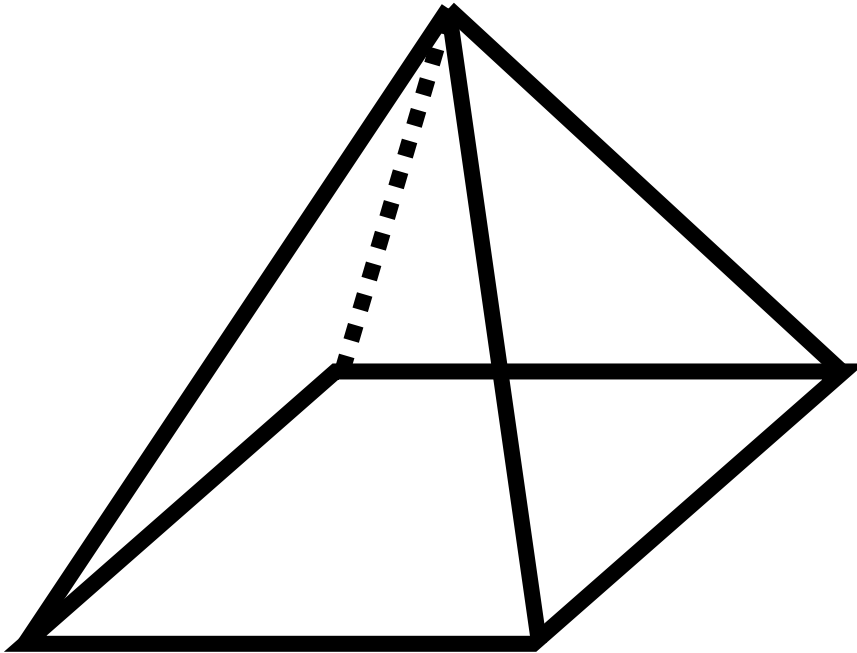
14.2

**Surface Area of
Pyramids**

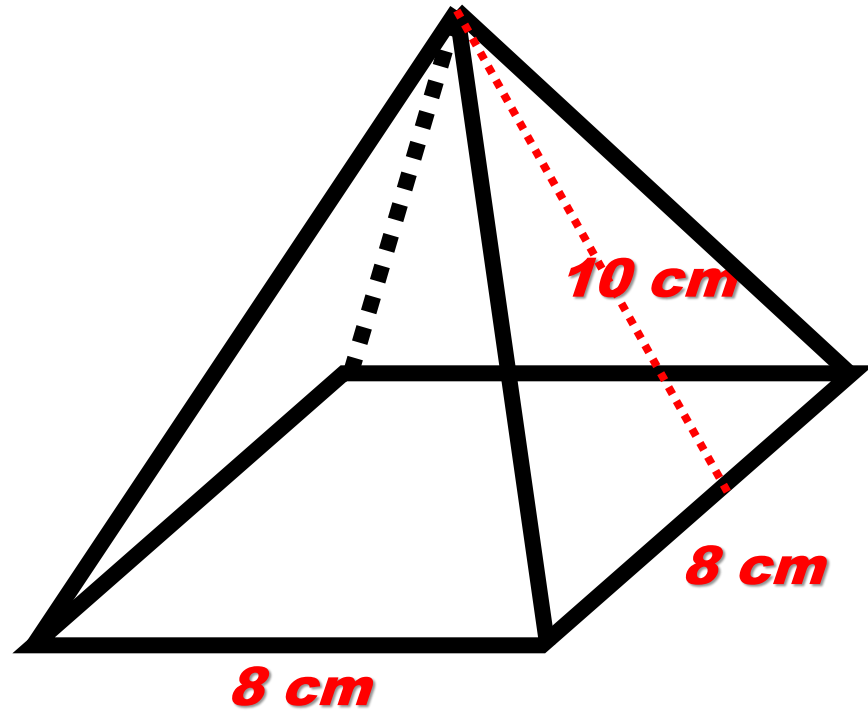
EXPLORING

PYRAMIDS

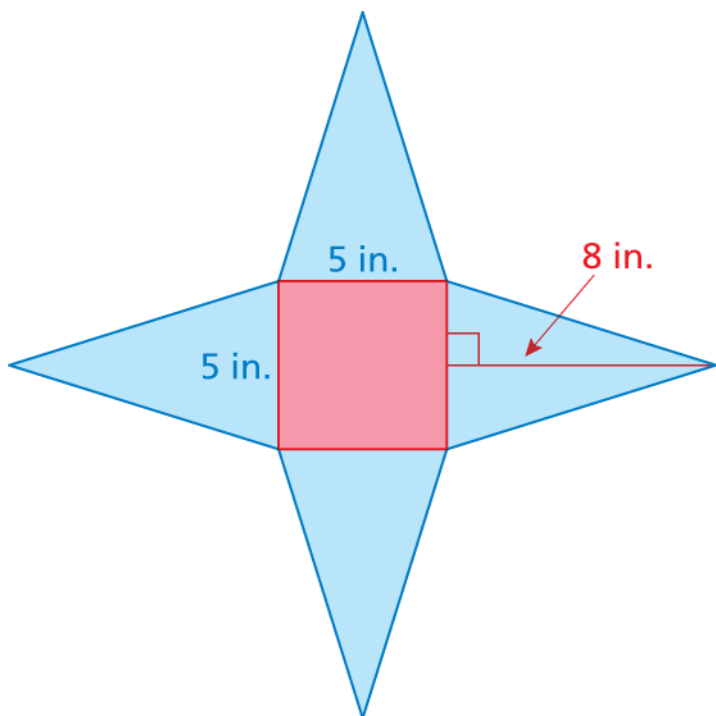
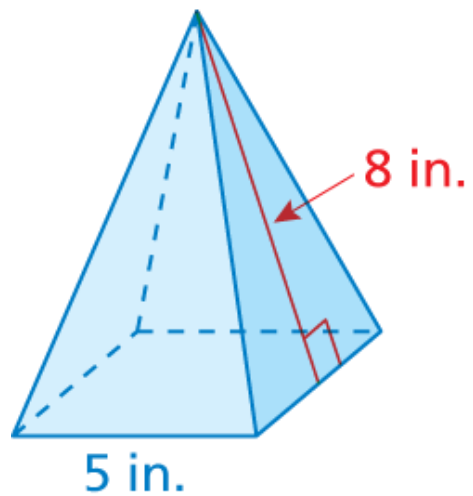
SURFACE AREA OF A PYRAMID



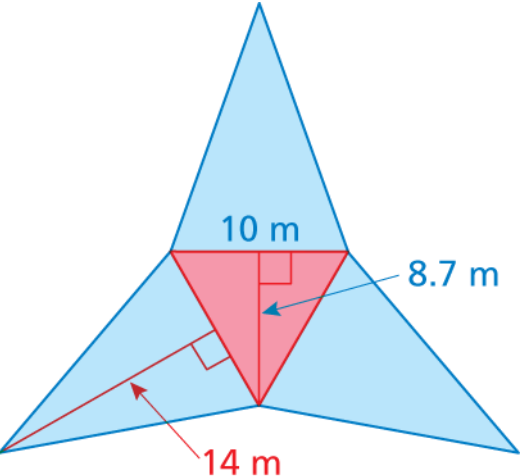
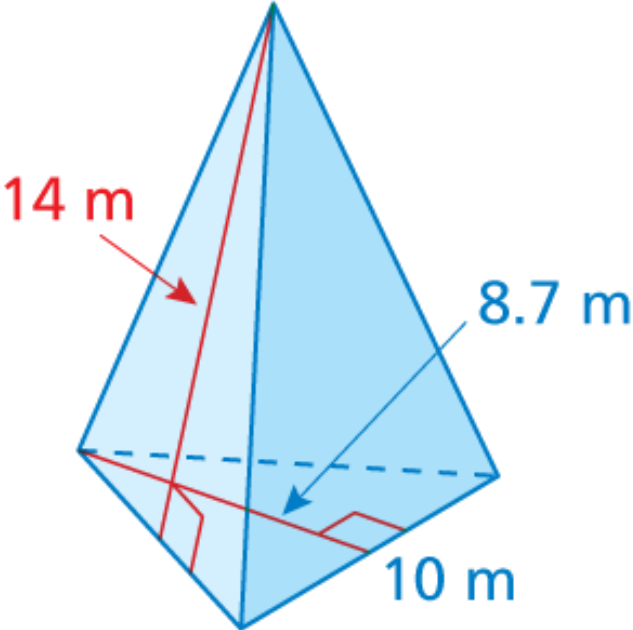
1) FIND THE SURFACE AREA

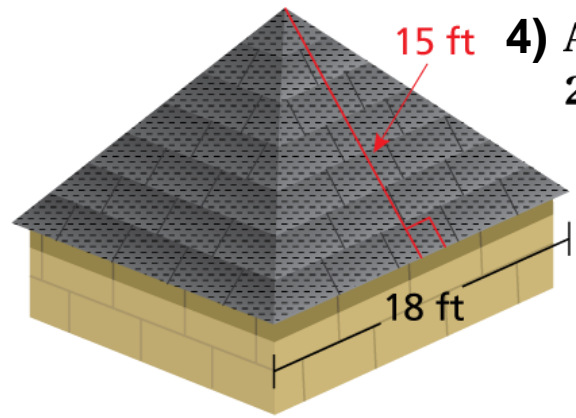


2) Find the surface area of the regular pyramid.



3) Find the surface area of the regular pyramid.

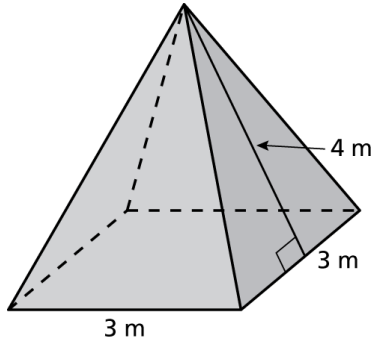




4) A roof is shaped like a square pyramid. One bundle of shingles covers 25 square feet. How many bundles should you buy to cover the roof?

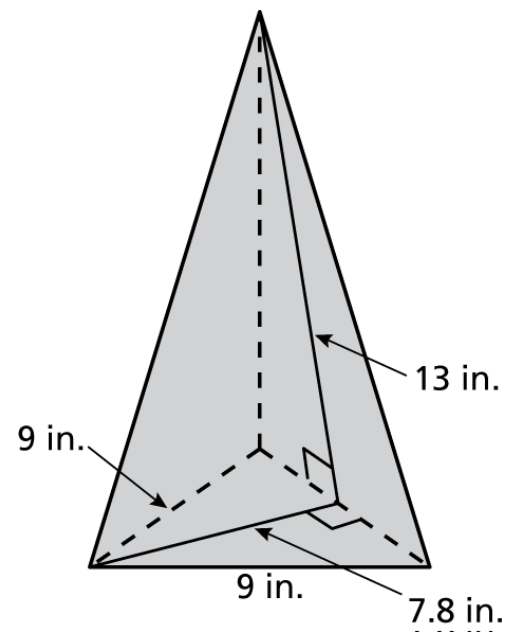
Practice

5) Find the surface area.



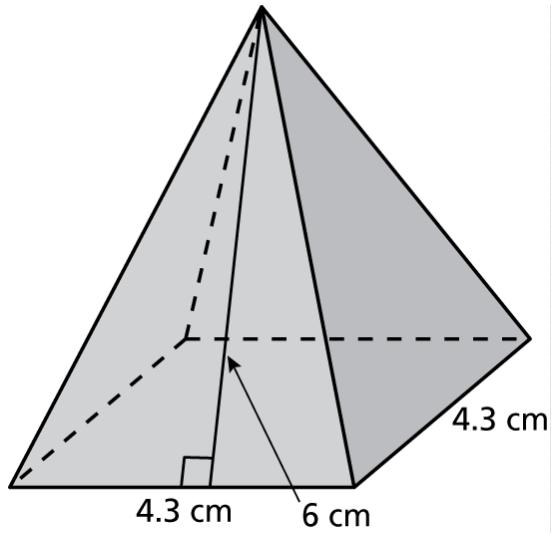
Practice

6) Find the surface area.



Practice

7) Find the surface area.



Practice

8) Find the surface area.

